

TL431C, TL431AC, TL431I, TL431AI, TL431M, TL431Y ADJUSTABLE PRECISION SHUNT REGULATORS

SLVS005F – JULY 1978 – REVISED SEPTEMBER 1996

- Equivalent Full-Range Temperature Coefficient . . . 30 ppm/°C
- 0.2-Ω Typical Output Impedance
- Sink-Current Capability . . . 1 mA to 100 mA
- Low Output Noise
- Adjustable Output Voltage . . . V_{ref} to 36 V
- Available in a Wide Range of High-Density Packaging Options:
 - Small Outline (D)
 - TO-226AA (LP)
 - SOT-89 (PK)
 - TSSOP (PW)

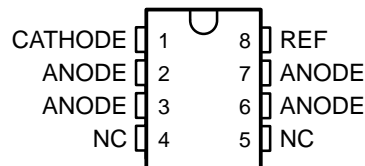
description

The TL431 and TL431A are 3-terminal adjustable shunt regulators with specified thermal stability over applicable automotive, commercial, and military temperature ranges. The output voltage can be set to any value between V_{ref} (approximately 2.5 V) and 36 V with two external resistors (see Figure 16). These devices have a typical output impedance of 0.2 Ω. Active output circuitry provides a very sharp turn-on characteristic, making these devices excellent replacements for zener diodes in many applications, such as on-board regulation, adjustable power supplies, and switching power supplies.

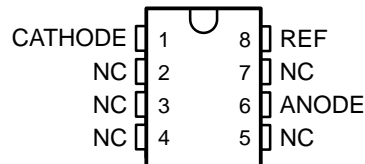
The TL431 is offered in a wide variety of high-density packaging options that includes an SOT-89-type package (suffix PK).

The TL431C and TL431AC are characterized for operation from 0°C to 70°C, and the TL431I and TL431AI are characterized for operation from -40°C to 85°C. The TL431M is characterized for operation over the full military temperature range of -55°C to 125°C.

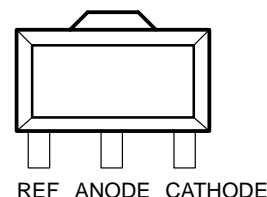
D OR PW PACKAGE
(TOP VIEW)



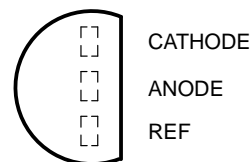
JG OR P PACKAGE
(TOP VIEW)



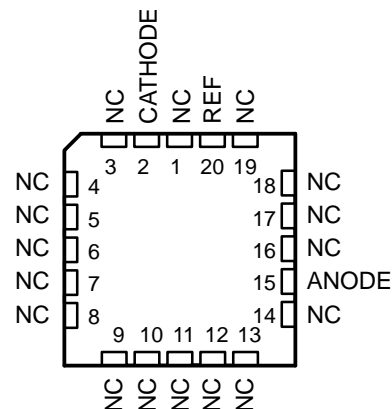
PK PACKAGE
(TOP VIEW)



LP PACKAGE
(TOP VIEW)



FK PACKAGE
(TOP VIEW)



NC – No internal connection



Please be aware that an important notice concerning availability, standard warranty, and use in critical applications of Texas Instruments semiconductor products and disclaimers thereto appears at the end of this data sheet.

PRODUCTION DATA information is current as of publication date. Products conform to specifications per the terms of Texas Instruments standard warranty. Production processing does not necessarily include testing of all parameters.

**TEXAS
INSTRUMENTS**

POST OFFICE BOX 655303 • DALLAS, TEXAS 75265

Copyright © 1996, Texas Instruments Incorporated
On products compliant to MIL-PRF-38535, all parameters are tested unless otherwise noted. On all other products, production processing does not necessarily include testing of all parameters.

TL431C, TL431AC, TL431I, TL431AI, TL431M, TL431Y ADJUSTABLE PRECISION SHUNT REGULATORS

SLVS005F – JULY 1978 – REVISED SEPTEMBER 1996

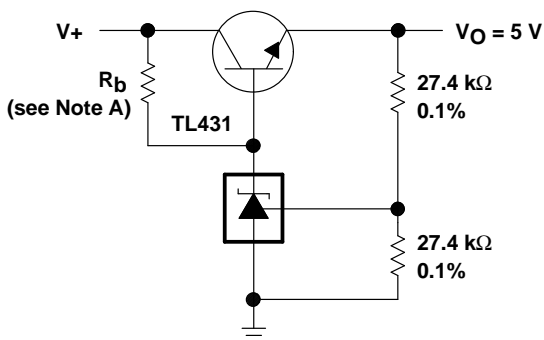
AVAILABLE OPTIONS

T _A	PACKAGED DEVICES							CHIP FORM (Y)
	SMALL OUTLINE (D)	CHIP CARRIER (FK)	CERAMIC DIP (JG)	TO-226AA (LP)	PLASTIC DIP (P)	SOT-89 (PK)	SHRINK SMALL OUTLINE (PW)	
0°C to 70°C	TL431CD TL431ACD			TL431CLP TL431ACL	TL431CP TL431ACP	TL431CPK	TL431CPW	TL431Y
-40°C to 85°C	TL431ID TL431AID			TL431ILP TL431AILP	TL431IP TL431AIP	TL431IPK		
-55°C to 125°C		TL431MFK	TL431MJG					

The D and LP packages are available taped and reeled. Add R suffix to device type (e.g., TL431CDR). The PK package is only available taped and reeled (no R suffix required). Chip forms are tested at T_A = 25°C.

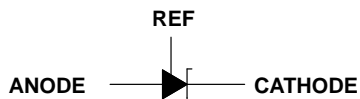
application schematic

5-V Precision Regulator

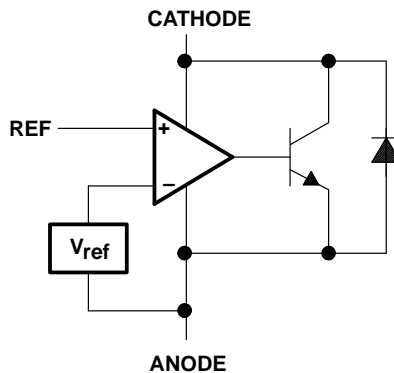


NOTE A: R_b should provide cathode current ≥ 1-mA to the TL431.

symbol



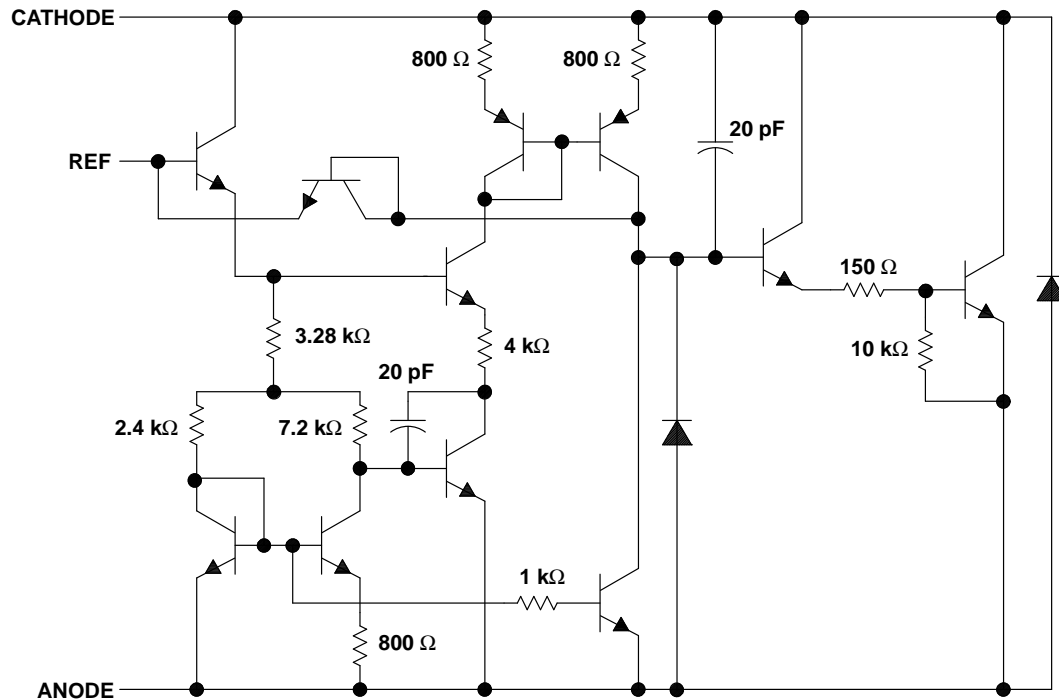
functional block diagram



TL431C, TL431AC, TL431I, TL431AI, TL431M, TL431Y ADJUSTABLE PRECISION SHUNT REGULATORS

SLVS005F – JULY 1978 – REVISED SEPTEMBER 1996

equivalent schematic



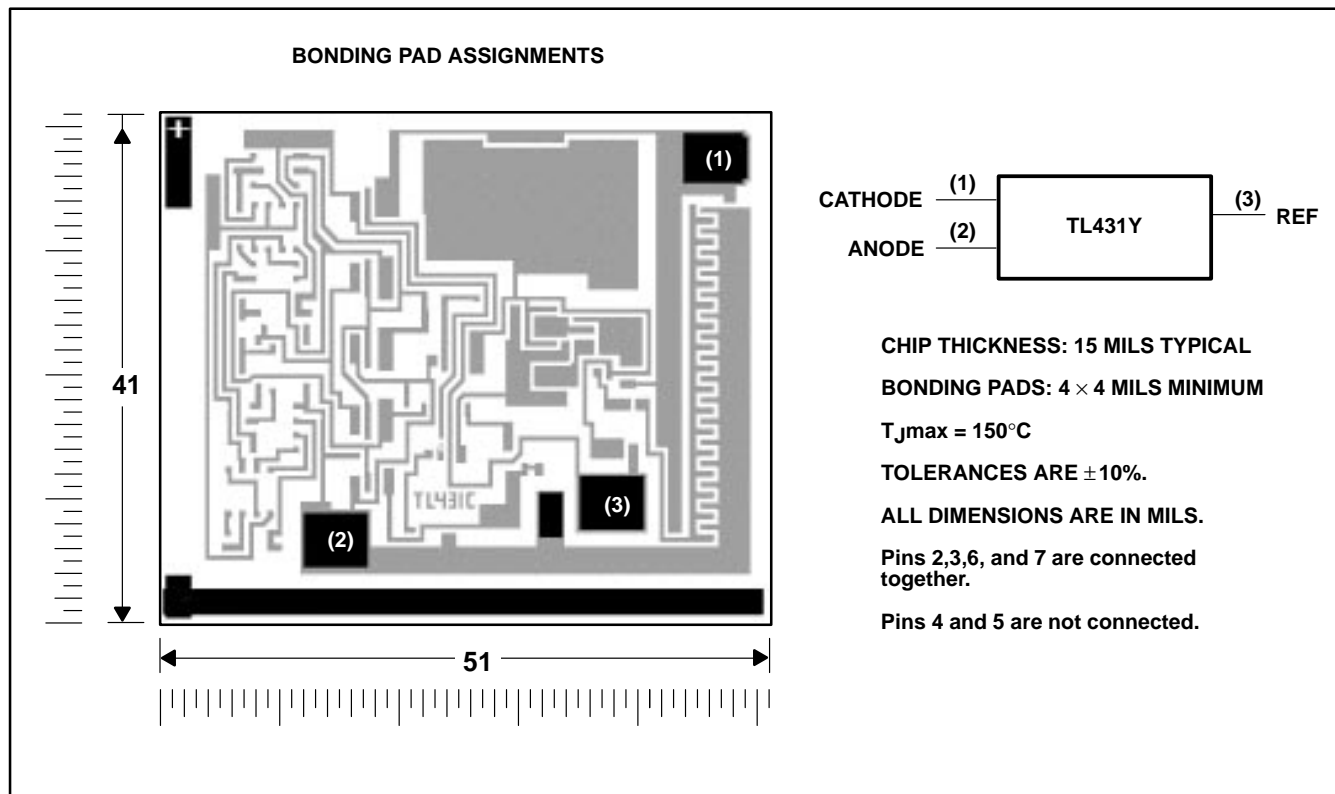
NOTE A: All component values are nominal.

TL431C, TL431AC, TL431I, TL431AI, TL431M, TL431Y ADJUSTABLE PRECISION SHUNT REGULATORS

SLVS005F – JULY 1978 – REVISED SEPTEMBER 1996

TL431Y chip information

This chip, when properly assembled, displays characteristics similar to the TL431C. Thermal compression or ultrasonic bonding may be used on the doped aluminum bonding pads. The chip may be mounted with conductive epoxy or a gold-silicon preform.



TL431C, TL431AC, TL431I, TL431AI, TL431M, TL431Y ADJUSTABLE PRECISION SHUNT REGULATORS

SLVS005F – JULY 1978 – REVISED SEPTEMBER 1996

absolute maximum ratings over operating free-air temperature range (unless otherwise noted)†

Cathode voltage, V_{KA} (see Note 1)	37 V	
Continuous cathode current range, I_{KA}	–100 mA to 150 mA	
Reference input current range	–50 μ A to 10 mA	
Continuous total power dissipation	See Dissipation Rating Tables 1 and 2	
Operating free-air temperature range, T_A :	C-suffix	0°C to 70°C
	I-suffix	–40°C to 85°C
	M-suffix	–55°C to 125°C
Storage temperature range, T_{stg}	–65°C to 150°C	
Case temperature for 60 seconds: FK package	260°C	
Lead temperature 1,6 mm (1/16 inch) from case for 10 seconds: D, P, or PW package	260°C	
Lead temperature 1,6 mm (1/16 inch) from case for 60 seconds: JG, LP, or PK package	300°C	

† Stresses beyond those listed under “absolute maximum ratings” may cause permanent damage to the device. These are stress ratings only, and functional operation of the device at these or any other conditions beyond those indicated under “recommended operating conditions” is not implied. Exposure to absolute-maximum-rated conditions for extended periods may affect device reliability.

NOTE 1: Voltage values are with respect to the anode terminal unless otherwise noted.

DISSIPATION RATING TABLE 1 – FREE-AIR TEMPERATURE

PACKAGE	$T_A = 25^\circ\text{C}$ POWER RATING	DERATING FACTOR ABOVE $T_A = 25^\circ\text{C}$	$T_A = 70^\circ\text{C}$ POWER RATING	$T_A = 85^\circ\text{C}$ POWER RATING	$T_A = 125^\circ\text{C}$ POWER RATING
D	725 mW	5.8 mW/°C	464 mW	377 mW	—
FK	1375 mW	11.0 mW/°C	880 mW	715 mW	275 mW
JG	1050 mW	8.4 mW/°C	672 mW	546 mW	210 mW
LP	775 mW	6.2 mW/°C	496 mW	403 mW	—
P	1000 mW	8.0 mW/°C	640 mW	520 mW	—
PK	500 mW	4.0 mW/°C	320 mW	260 mW	—
PW	525 mW	4.2 mW/°C	336 mW	—	—

DISSIPATION RATING TABLE 2 – CASE TEMPERATURE

PACKAGE	$T_C = 25^\circ\text{C}$ POWER RATING	DERATING FACTOR ABOVE $T_C = 25^\circ\text{C}$	$T_C = 70^\circ\text{C}$ POWER RATING	$T_C = 85^\circ\text{C}$ POWER RATING
PK	3125 mW	25 mW/°C	2000 mW	1625 mW

recommended operating conditions

	MIN	MAX	UNIT
Cathode voltage, V_{KA}	V_{ref}	36	V
Cathode current, I_{KA}	1	100	mA



TL431C, TL431AC, TL431I, TL431AI, TL431M, TL431Y ADJUSTABLE PRECISION SHUNT REGULATORS

SLVS005F – JULY 1979 – REVISED SEPTEMBER 1996

electrical characteristics over recommended operating conditions, T_A = 25°C (unless otherwise noted)

PARAMETER	TEST CIRCUIT	TEST CONDITIONS	TL431C			TL431I			TL431M			UNIT
			MIN	TYP	MAX	MIN	TYP	MAX	MIN	TYP	MAX	
V _{ref}	1	V _{KA} = V _{ref} , I _{KA} = 10 mA	2440	2495	2550	2440	2495	2550	2400	2495	2600	mV
V _{I(dev)}	1	V _{KA} = V _{ref} , I _{KA} = 10 mA, T _A = Full range †				5			22			mV
$\frac{\Delta V_{ref}}{\Delta V_{KA}}$	2	I _{KA} = 10 mA	$\Delta V_{KA} = 10\text{ V} - V_{ref}$			-1.4	-2.7		-1.4	-3		$\frac{mV}{V}$
			$\Delta V_{KA} = 36\text{ V} - 10\text{ V}$			-1	-2		-1	-2.3		
I _{ref}	2	I _{KA} = 10 mA, R1 = 10 kΩ, R2 = ∞	2	4	4	2	4	4	2	8*		μA
I _{I(dev)}	2	I _{KA} = 10 mA, R1 = 10 kΩ, R2 = ∞, T _A = Full range †	0.4	1.2		0.8	2.5		1			μA
I _{min}	1	V _{KA} = V _{ref}	0.4	1		0.4	1		0.4	1.5		mA
I _{off}	3	V _{KA} = 36 V, V _{ref} = 0	0.1	1		0.1	1		0.1	3		μA
z _{KA}	1	I _{KA} = 1 mA to 100 mA, V _{KA} = V _{ref} , f ≤ 1 kHz	0.2	0.5		0.2	0.5		0.2	0.9*		Ω

* On products compliant to MIL-STD-883, Class B, this parameter is not production tested.

† Full temperature range is 0°C to 70°C for the TL431C, -40°C to 85°C for the TL431I, and -55°C to 125°C for the TL431M.

‡ The deviation parameters V_{I(dev)} and I_{I(dev)} are defined as the differences between the maximum and minimum values obtained over the rated temperature range. The average full-range temperature coefficient of the reference voltage, α_{Vref}, is defined as:

$$|\alpha_{Vref}| \left(\frac{ppm}{^\circ C} \right) = \frac{\left(\frac{V_{I(dev)}}{V_{ref} \text{ at } 25^\circ C} \right) \times 10^6}{\Delta T_A}$$

where ΔT_A is the rated operating free-air temperature range of the device.

α_{Vref} can be positive or negative depending on whether minimum V_{ref} or maximum V_{ref}, respectively, occurs at the lower temperature.

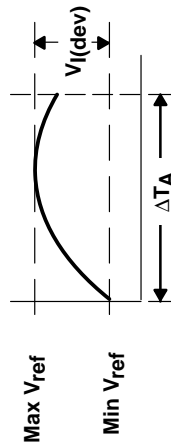
Example: Max V_{ref} = 2496 mV at 30°C, Min V_{ref} = 2492 mV at 0°C, V_{ref} = 2495 mV at 25°C, ΔT_A = 70°C for TL431C

$$|\alpha_{Vref}| = \frac{\left(\frac{4\text{ mV}}{2495\text{ mV}} \right) \times 10^6}{70^\circ C} \approx 23\text{ ppm}/^\circ C$$

Because minimum V_{ref} occurs at the lower temperature, the coefficient is positive.

§ The dynamic impedance is defined as: |z_{KA}| = $\frac{\Delta V_{KA}}{\Delta I_{KA}}$

When the device is operating with two external resistors (see Figure 2), the total dynamic impedance of the circuit is given by: |z'| = $\frac{\Delta V}{\Delta I} \approx |z_{KA}| \left(1 + \frac{R1}{R2} \right)$



electrical characteristics over recommended operating conditions, $T_A = 25^\circ\text{C}$ (unless otherwise noted)

PARAMETER	TEST CIRCUIT	TEST CONDITIONS	TL431AC			TL431AI			UNIT
			MIN	TYP	MAX	MIN	TYP	MAX	
V_{ref}	1	$V_{KA} = V_{ref}$, $I_{KA} = 10\text{ mA}$	2470	2495	2520	2470	2495	2520	mV
$V_{I(dev)}$	1	$V_{KA} = V_{ref}$, $I_{KA} = 10\text{ mA}$, $T_A = \text{Full range}^\dagger$		4	25		5	50	mV
$\frac{\Delta V_{ref}}{\Delta V_{KA}}$	2	$I_{KA} = 10\text{ mA}$	$\Delta V_{KA} = 10\text{ V} - V_{ref}$		-1.4	-2.7	-1.4	-2.7	$\frac{\text{mV}}{\text{V}}$
			$\Delta V_{KA} = 36\text{ V} - 10\text{ V}$		-1	-2	-1	-2	
I_{ref}	2	$I_{KA} = 10\text{ mA}$, $R1 = 10\text{ k}\Omega$, $R2 = \infty$		2	4		2	4	μA
$I_{I(dev)}$	2	$I_{KA} = 10\text{ mA}$, $R1 = 10\text{ k}\Omega$, $T_A = \text{Full range}^\dagger$			0.8	1.2	0.8	2.5	μA
					0.4	0.6	0.4	0.7	
I_{min}	1	$V_{KA} = V_{ref}$		0.1	0.5		0.1	0.5	mA
I_{off}	3	$V_{KA} = 36\text{ V}$, $V_{ref} = 0$		0.1	0.5		0.1	0.5	μA
$ z_{KA} $	1	$V_{KA} = V_{ref}$, $I_{KA} = 1\text{ mA}$ to 100 mA , $f \leq 1\text{ kHz}$		0.2	0.5		0.2	0.5	Ω

† Full temperature range is 0°C to 70°C for the TL431AC and -40°C to 85°C for the TL431AI.

‡ The deviation parameters $V_{ref(dev)}$ and $I_{ref(dev)}$ are defined as the differences between the maximum and minimum values obtained over the rated temperature range. The average full-range temperature coefficient of the reference input voltage, α_{Vref} , is defined as:

$$|\alpha_{Vref}| \left(\frac{\text{ppm}}{^\circ\text{C}} \right) = \frac{\left(\frac{V_{I(dev)}}{V_{ref} \text{ at } 25^\circ\text{C}} \right) \times 10^6}{\Delta T_A}$$

where ΔT_A is the rated operating free-air temperature range of the device.

α_{Vref} can be positive or negative depending on whether minimum V_{ref} or maximum V_{ref} , respectively, occurs at the lower temperature.

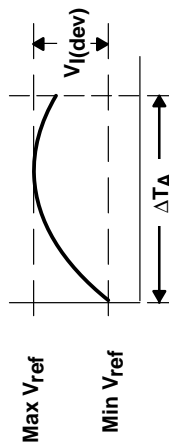
Example: Max $V_{ref} = 2496\text{ mV}$ at 30°C , Min $V_{ref} = 2492\text{ mV}$ at 0°C , $V_{ref} = 2495\text{ mV}$ at 25°C , $\Delta T_A = 70^\circ\text{C}$ for TL431AC

$$|\alpha_{Vref}| = \frac{\left(\frac{4\text{ mV}}{2495\text{ mV}} \right) \times 10^6}{70^\circ\text{C}} \approx 23\text{ ppm}/^\circ\text{C}$$

Because minimum V_{ref} occurs at the lower temperature, the coefficient is positive.

\S The dynamic impedance is defined as: $|z_{KA}| = \frac{\Delta V_{KA}}{\Delta I_{KA}}$

When the device is operating with two external resistors (see Figure 2), the total dynamic impedance of the circuit is given by: $|z'| = \frac{\Delta V}{\Delta I} \approx |z_{KA}| \left(1 + \frac{R1}{R2} \right)$



TL431C, TL431AC, TL431I, TL431AI, TL431M, TL431Y ADJUSTABLE PRECISION SHUNT REGULATORS

SLVS005F – JULY 1978 – REVISED SEPTEMBER 1996

electrical characteristics over recommended operating conditions, $T_A = 25^\circ\text{C}$ (unless otherwise noted)

PARAMETER	TEST CIRCUIT	TEST CONDITIONS	TL431Y			UNIT
			MIN	TYP	MAX	
V_{ref} Reference voltage	1	$V_{KA} = V_{ref}$, $I_{KA} = 10\text{ mA}$	2495			mV
$\frac{\Delta V_{ref}}{\Delta V_{KA}}$ Ratio of change in reference voltage to the change in cathode voltage	2	$I_{KA} = 10\text{ mA}$	$\Delta V_{KA} = 10\text{ V} - V_{ref}$	-1.4		$\frac{mV}{V}$
			$\Delta V_{KA} = 36\text{ V} - 10\text{ V}$	-1		
I_{ref} Reference input current	2	$I_{KA} = 10\text{ mA}$, $R_2 = \infty$, $R_1 = 10\text{ k}\Omega$	2			μA
I_{min} Minimum cathode current for regulation	1	$V_{KA} = V_{ref}$	0.4			mA
I_{off} Off-state cathode current	3	$V_{KA} = 36\text{ V}$, $V_{ref} = 0$	0.1			μA
$ z_{KA} $ Dynamic impedance†	1	$V_{KA} = V_{ref}$, $I_{KA} = 1\text{ mA to }100\text{ mA}$, $f \leq 1\text{ kHz}$	0.2			Ω

† The dynamic impedance is defined as: $|z_{ka}| = \frac{\Delta V_{KA}}{\Delta I_{KA}}$

When the device is operating with two external resistors (see Figure 2), the total dynamic impedance of the circuit is given by:

$$|z'| = \frac{\Delta V}{\Delta I} \approx |z_{KA}| \left(1 + \frac{R_1}{R_2} \right)$$

PARAMETER MEASUREMENT INFORMATION

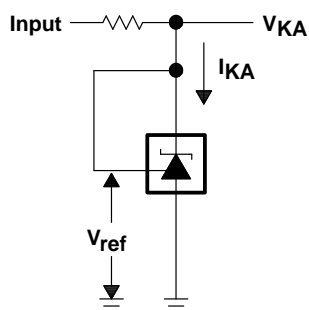


Figure 1. Test Circuit for $V_{KA} = V_{ref}$

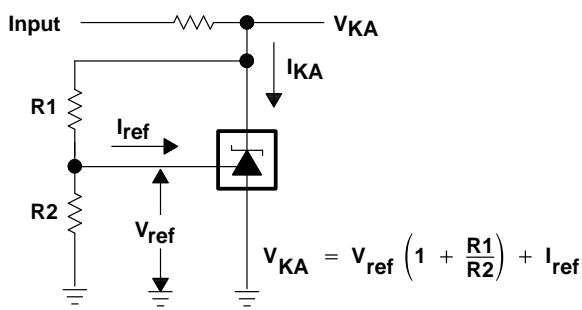


Figure 2. Test Circuit for $V_{KA} > V_{ref}$

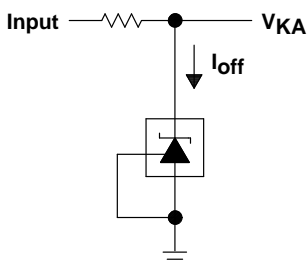


Figure 3. Test Circuit for I_{off}

TL431C, TL431AC, TL431I, TL431AI, TL431M, TL431Y ADJUSTABLE PRECISION SHUNT REGULATORS

SLVS005F – JULY 1978 – REVISED SEPTEMBER 1996

TYPICAL CHARACTERISTICS

Table of Graphs

			FIGURE
V_{ref}	Reference input voltage	vs Free-air temperature	4
I_{ref}	Reference input current	vs Free-air temperature	5
I_{KA}	Cathode current	vs Cathode voltage	6, 7
I_{off}	Off-state cathode current	vs Free-air temperature	8
ΔV_{ref}	Change in reference voltage to change in cathode voltage	vs Free-air temperature	9
V_n	Equivalent input noise voltage	vs Frequency over a 10-second time-period	10, 11
A_V	Small-signal voltage amplification	vs Frequency	12
$ z_{KA} $	Reference impedance	vs Frequency	13
	Pulse response		14
	Stability boundary conditions		15

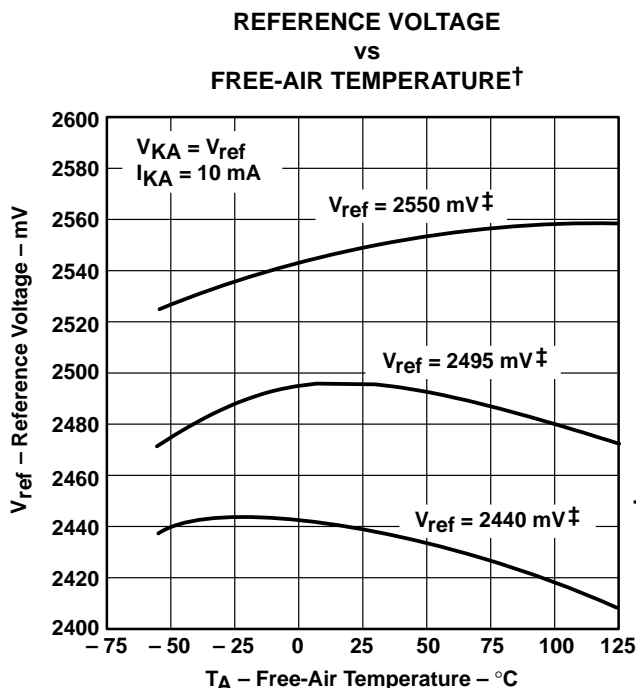
Table of Application Circuits

	FIGURE
Precision shunt regulator	16
Single-supply comparator with temperature-compensated threshold	17
Precision high-current series regulator	18
Output control of a 3-terminal fixed regulator	19
High-current shunt regulator	20
Crowbar circuit	21
Precision 5-V, 1.5-A regulator	22
Efficient 5-V, precision regulator	23
PWM down converter with reference	24
Voltage monitor	25
Delay timer	26
Precision current limiter	27
Precision constant-current sink	28

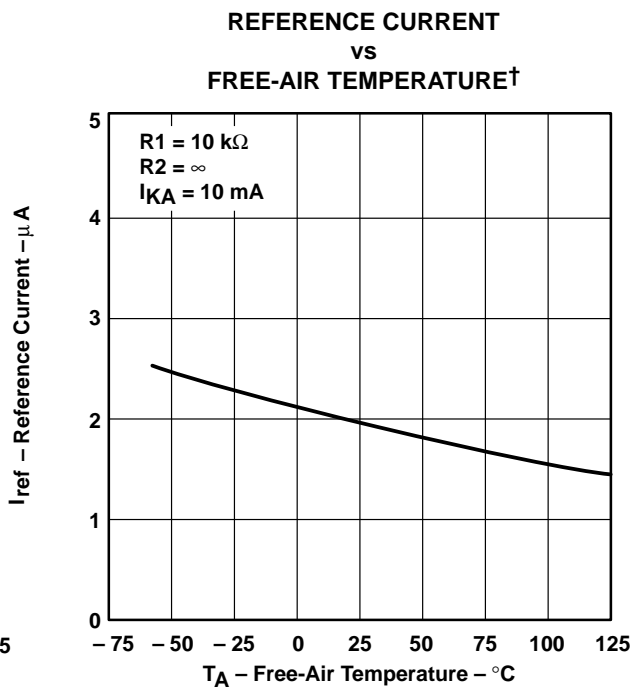
TL431C, TL431AC, TL431I, TL431AI, TL431M, TL431Y ADJUSTABLE PRECISION SHUNT REGULATORS

SLVS005F – JULY 1978 – REVISED SEPTEMBER 1996

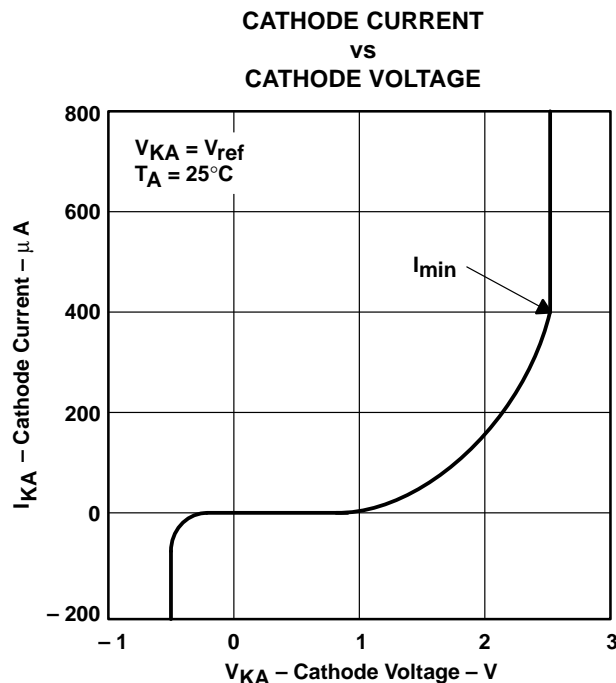
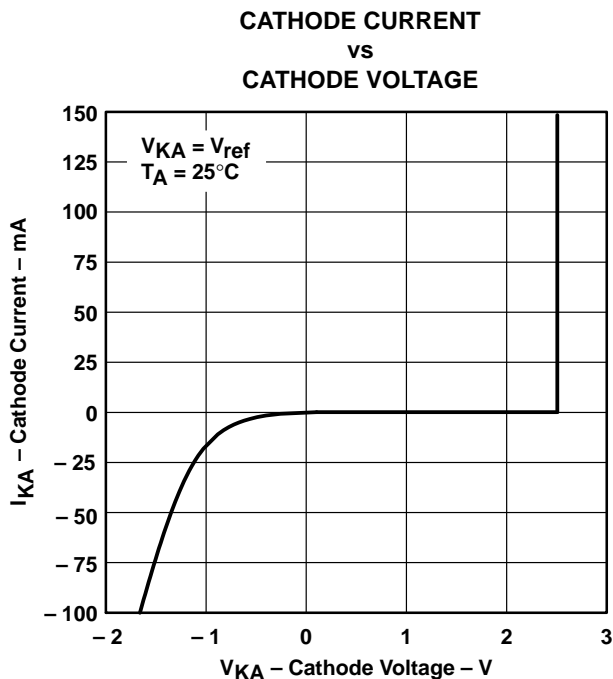
TYPICAL CHARACTERISTICS



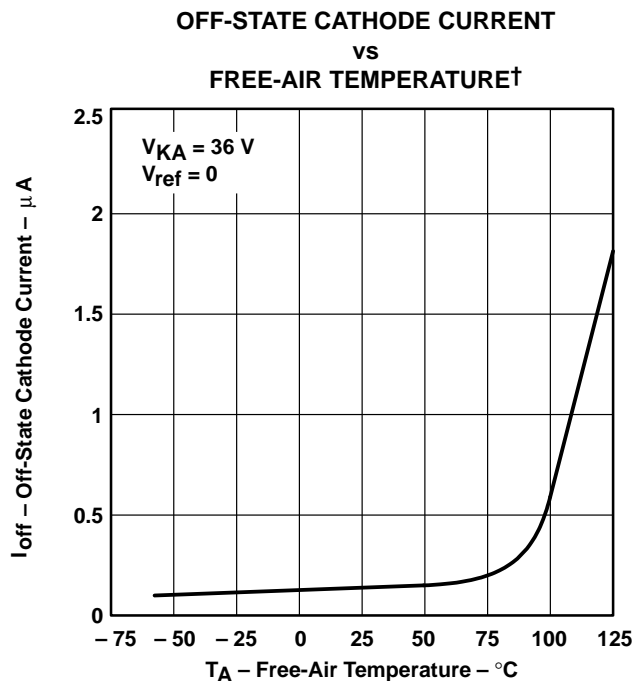
† Data at high and low temperatures are applicable only within the rated operating free-air temperature ranges of the various devices.
‡ Data is for devices having the indicated value of V_{ref} at $I_{KA} = 10 \text{ mA}$, $T_A = 25^\circ\text{C}$.



† Data at high and low temperatures are applicable only within the rated operating free-air temperature ranges of the various devices.

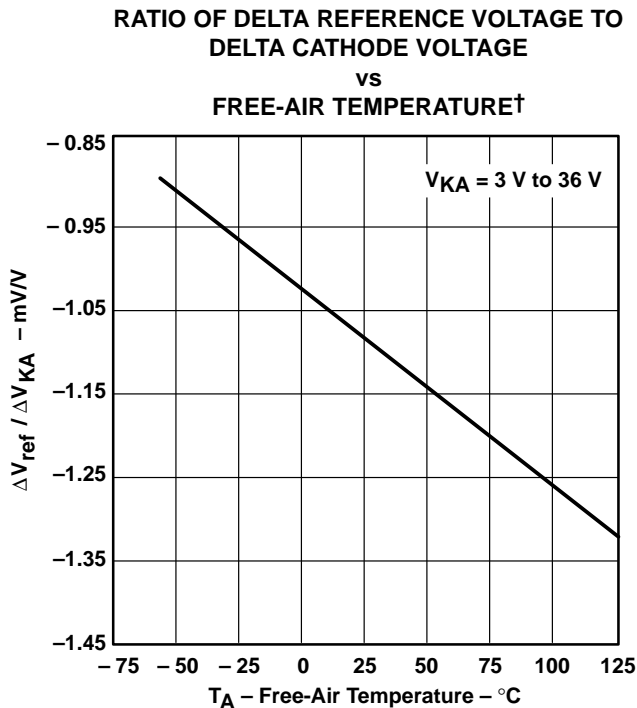


TYPICAL CHARACTERISTICS



† Data at high and low temperatures are applicable only within the rated operating free-air temperature ranges of the various devices.

Figure 8



† Data at high and low temperatures are applicable only within the rated operating free-air temperature ranges of the various devices.

Figure 9

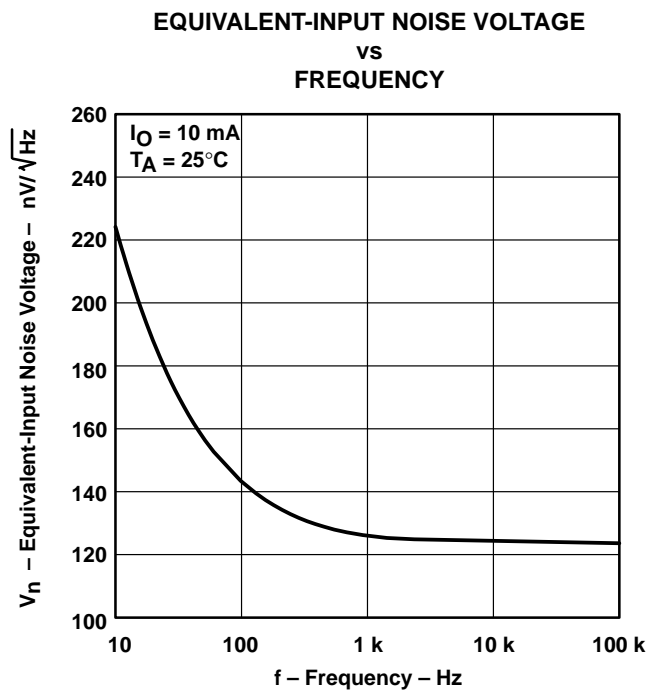


Figure 10

TL431C, TL431AC, TL431I, TL431AI, TL431M, TL431Y ADJUSTABLE PRECISION SHUNT REGULATORS

SLVS005F – JULY 1978 – REVISED SEPTEMBER 1996

TYPICAL CHARACTERISTICS

EQUIVALENT-INPUT NOISE VOLTAGE OVER A 10-SECOND PERIOD

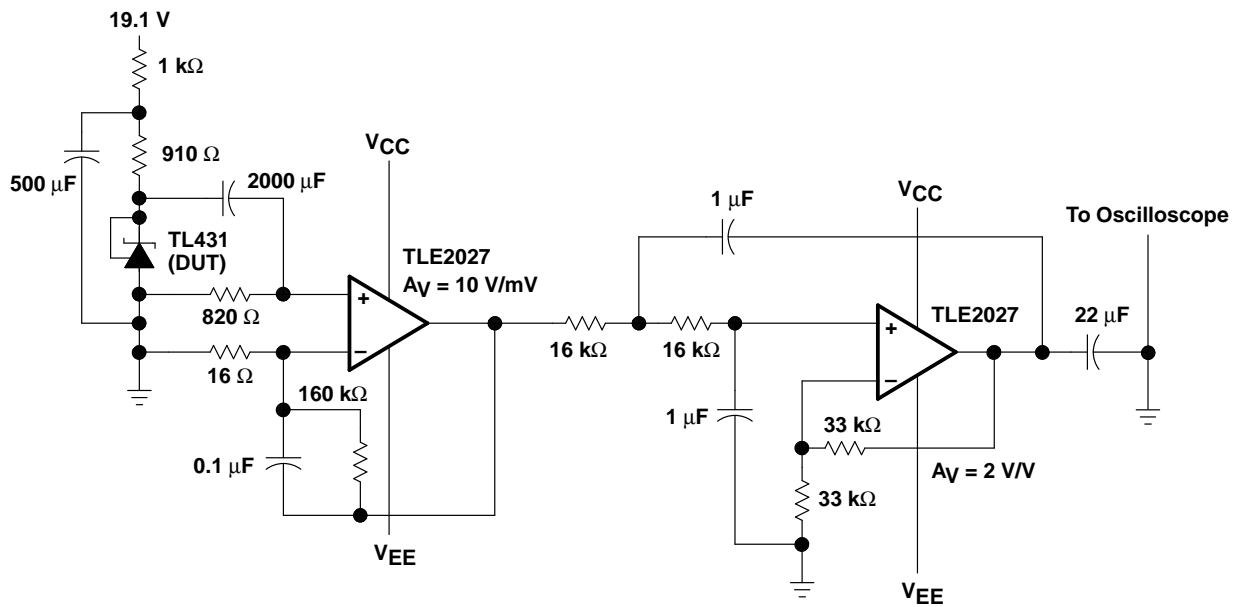
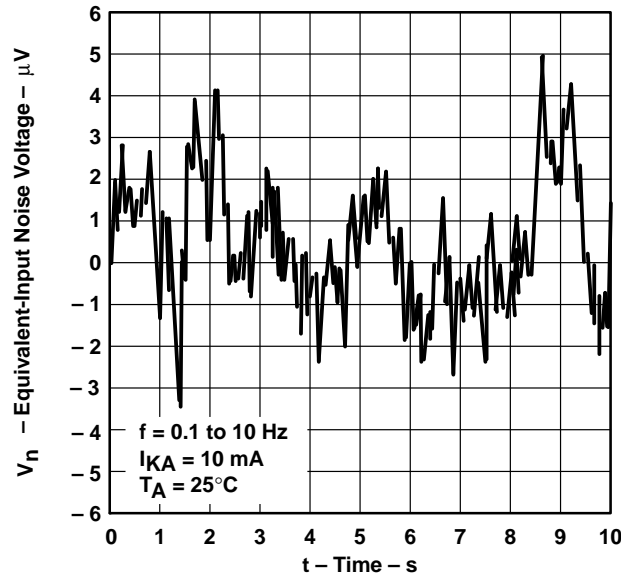


Figure 11. Test Circuit For Equivalent-Input Noise Voltage

TYPICAL CHARACTERISTICS

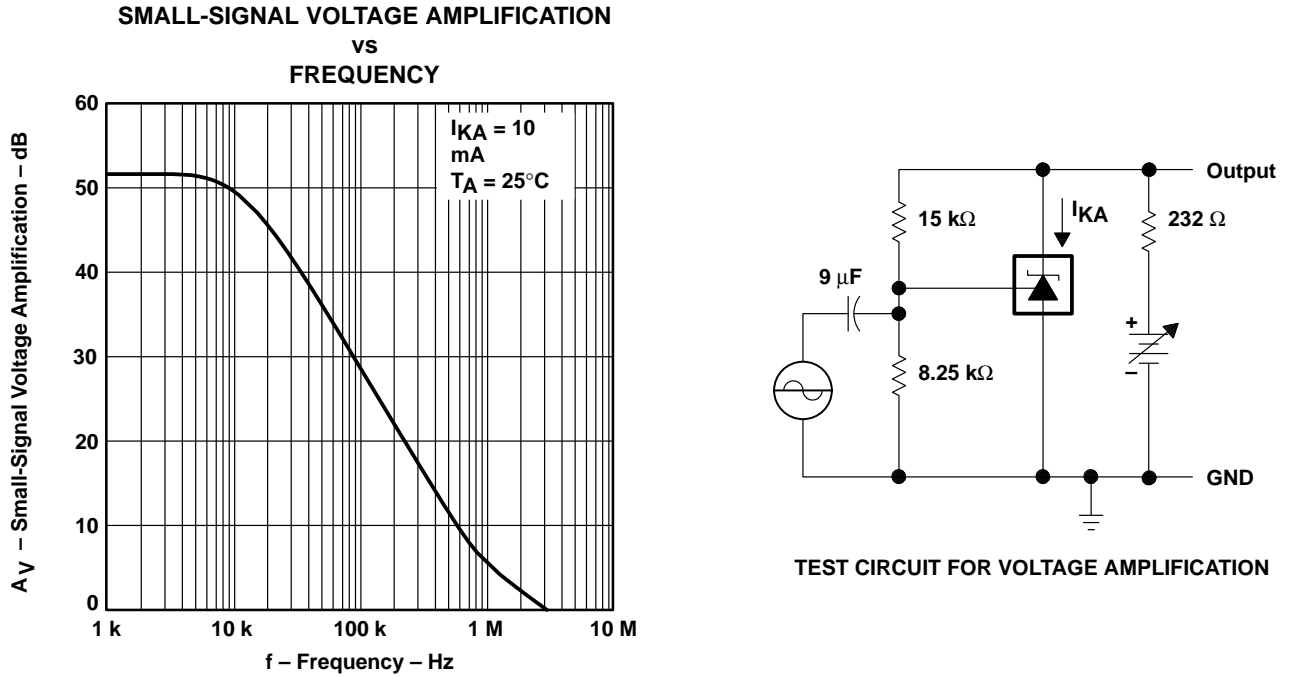


Figure 12

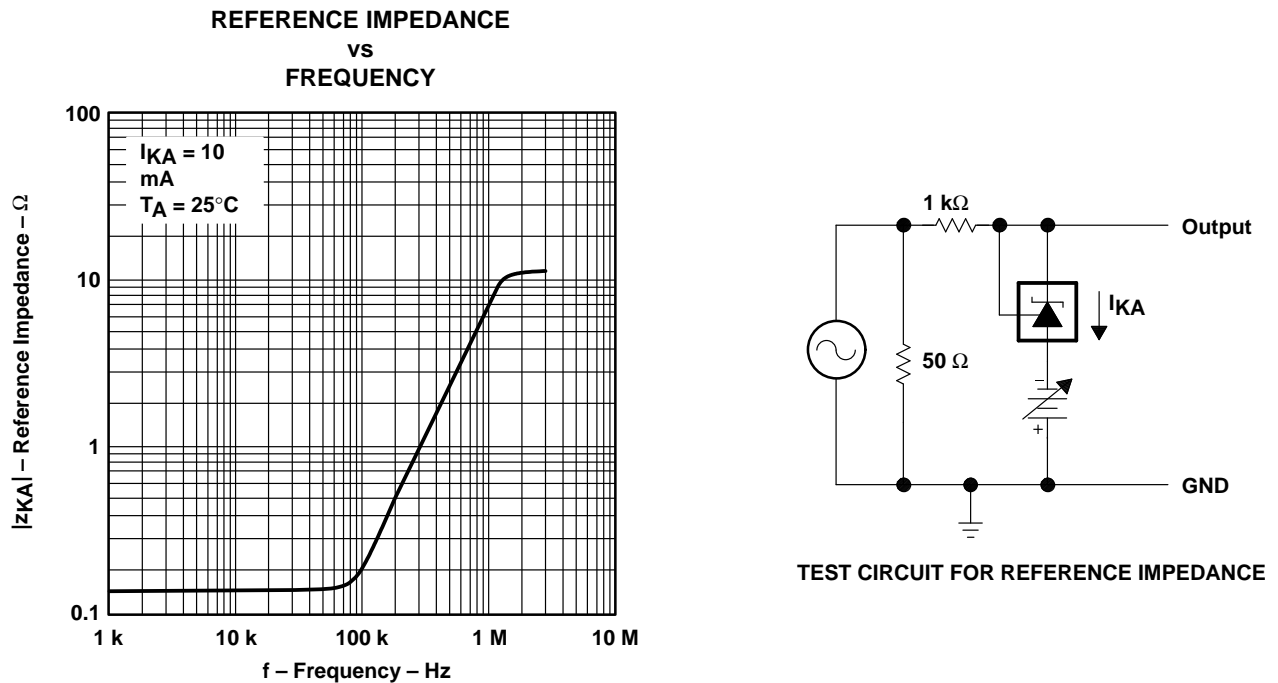


Figure 13

TL431C, TL431AC, TL431I, TL431AI, TL431M, TL431Y ADJUSTABLE PRECISION SHUNT REGULATORS

SLVS005F – JULY 1978 – REVISED SEPTEMBER 1996

TYPICAL CHARACTERISTICS

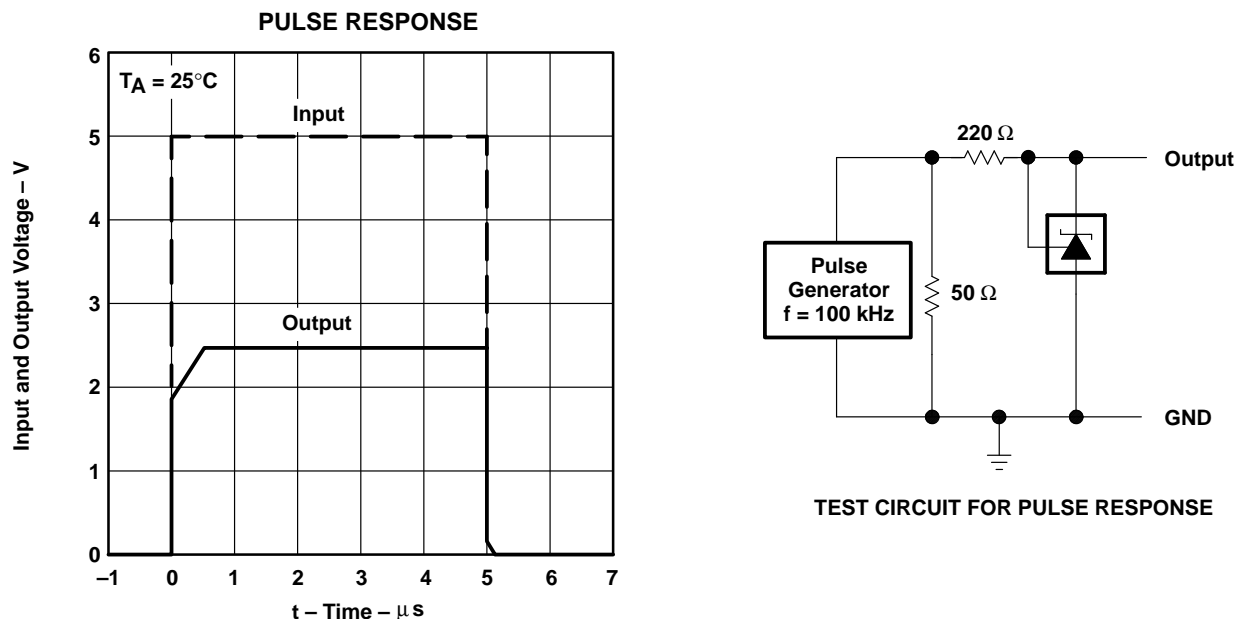


Figure 14

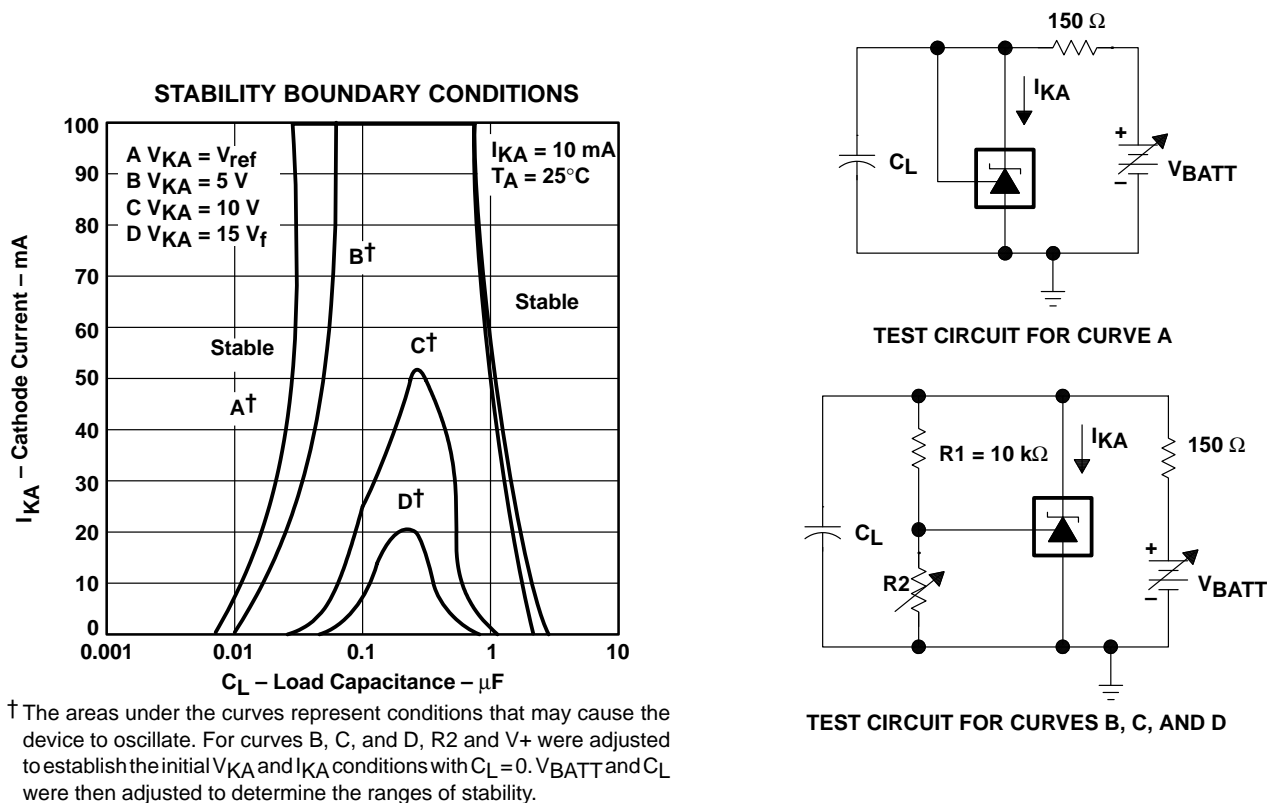
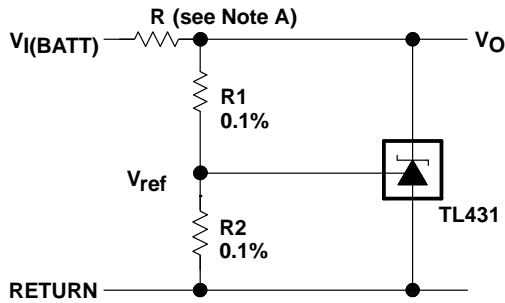


Figure 15

APPLICATION INFORMATION



$$V_O = \left(1 + \frac{R_1}{R_2}\right) V_{ref}$$

NOTE A: R should provide cathode current ≥ 1 mA to the TL431 at minimum $V_{I(BATT)}$.

Figure 16. Shunt Regulator

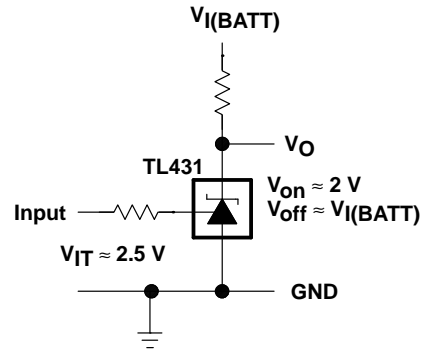
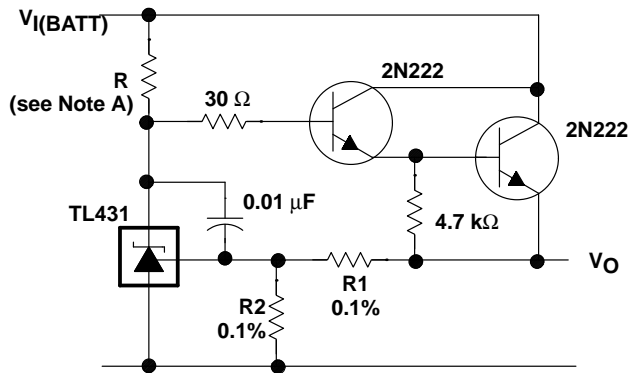


Figure 17. Single-Supply Comparator With Temperature-Compensated Threshold



$$V_O = \left(1 + \frac{R_1}{R_2}\right) V_{ref}$$

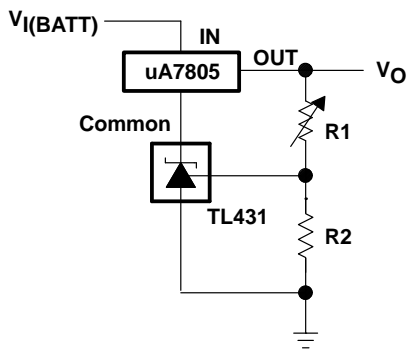
NOTE A: R should provide cathode current ≥ 1 -mA to the TL431 at minimum $V_{I(BATT)}$.

Figure 18. Precision High-Current Series Regulator

TL431C, TL431AC, TL431I, TL431AI, TL431M, TL431Y ADJUSTABLE PRECISION SHUNT REGULATORS

SLVS005F – JULY 1978 – REVISED SEPTEMBER 1996

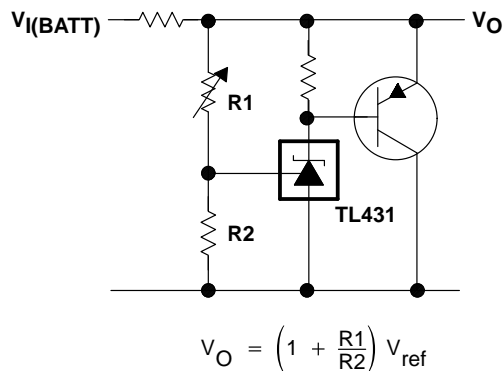
APPLICATION INFORMATION



$$V_O = \left(1 + \frac{R_1}{R_2}\right) V_{ref}$$

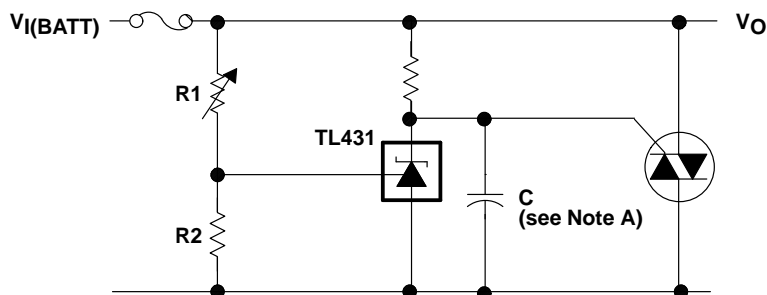
$$\text{Min } V_O = V_{ref} + 5 \text{ V}$$

Figure 19. Output Control of a 3-Terminal Fixed Regulator



$$V_O = \left(1 + \frac{R_1}{R_2}\right) V_{ref}$$

Figure 20. High-Current Shunt Regulator



NOTE A: Refer to the stability boundary conditions in Figure 15 to determine allowable values for C.

Figure 21. Crowbar Circuit

APPLICATION INFORMATION

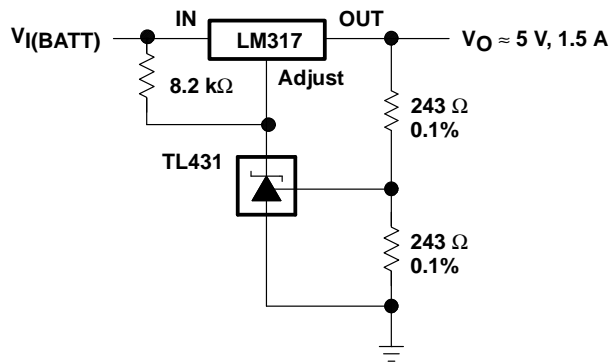
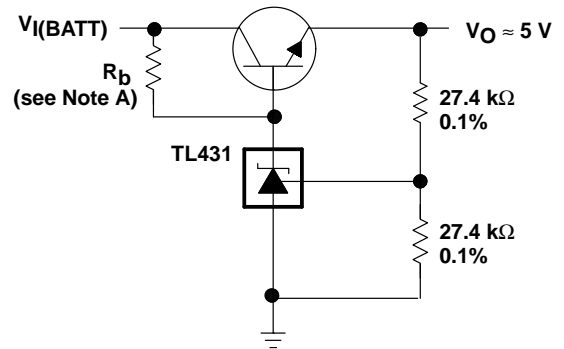


Figure 22. Precision 5-V, 1.5-A Regulator



NOTE A: R_b should provide cathode current ≥ 1 -mA to the TL431.

Figure 23. Efficient 5-V Precision Regulator

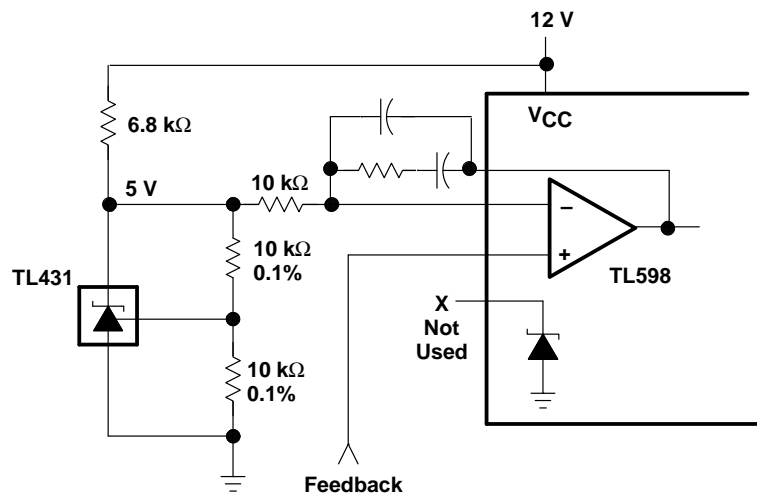
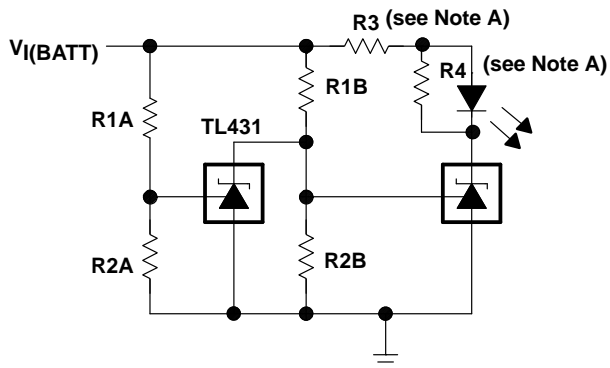


Figure 24. PWM Converter With Reference

TL431C, TL431AC, TL431I, TL431AI, TL431M, TL431Y ADJUSTABLE PRECISION SHUNT REGULATORS

SLVS005F – JULY 1978 – REVISED SEPTEMBER 1996

APPLICATION INFORMATION



$$\text{Low Limit} = \left(1 + \frac{R1B}{R2B}\right) V_{ref}$$

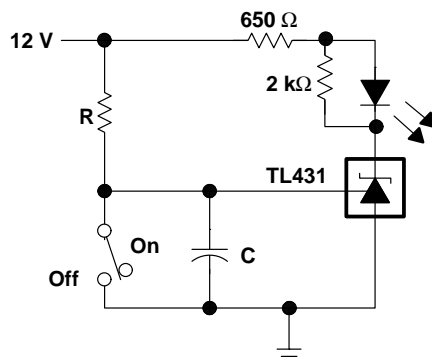
$$\text{High Limit} = \left(1 + \frac{R1A}{R2A}\right) V_{ref}$$

LED on when

$$\text{Low Limit} < V_{I(BATT)} < \text{High Limit}$$

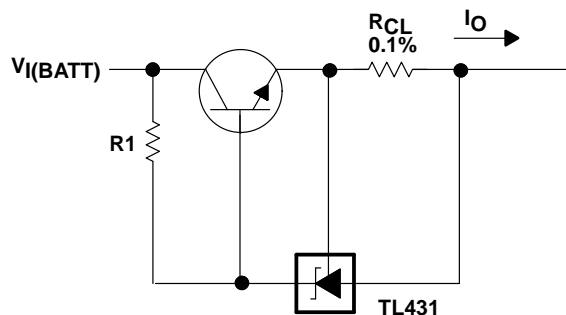
NOTE A: R3 and R4 are selected to provide the desired LED intensity and cathode current ≥ 1 mA to the TL431 at the available $V_{I(BATT)}$.

Figure 25. Voltage Monitor



$$\text{Delay} = R \times C \times I_n \left(\frac{12 \text{ V}}{12 \text{ V} - V_{ref}} \right)$$

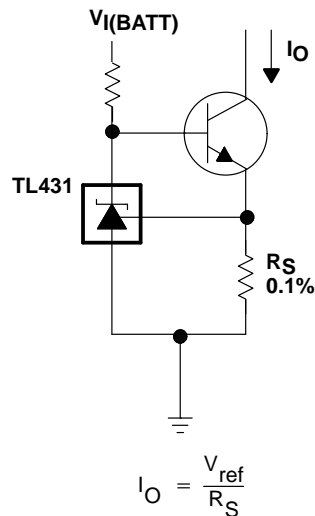
Figure 26. Delay Timer



$$I_{out} = \frac{V_{ref}}{R_{CL}} + I_{KA}$$

$$R1 = \frac{V_{I(BATT)}}{\frac{I_O}{h_{FE}} + I_{KA}}$$

Figure 27. Precision Current Limiter



$$I_O = \frac{V_{ref}}{R_S}$$

Figure 28. Precision Constant-Current Sink

IMPORTANT NOTICE

Texas Instruments (TI) reserves the right to make changes to its products or to discontinue any semiconductor product or service without notice, and advises its customers to obtain the latest version of relevant information to verify, before placing orders, that the information being relied on is current.

TI warrants performance of its semiconductor products and related software to the specifications applicable at the time of sale in accordance with TI's standard warranty. Testing and other quality control techniques are utilized to the extent TI deems necessary to support this warranty. Specific testing of all parameters of each device is not necessarily performed, except those mandated by government requirements.

Certain applications using semiconductor products may involve potential risks of death, personal injury, or severe property or environmental damage ("Critical Applications").

TI SEMICONDUCTOR PRODUCTS ARE NOT DESIGNED, INTENDED, AUTHORIZED, OR WARRANTED TO BE SUITABLE FOR USE IN LIFE-SUPPORT APPLICATIONS, DEVICES OR SYSTEMS OR OTHER CRITICAL APPLICATIONS.

Inclusion of TI products in such applications is understood to be fully at the risk of the customer. Use of TI products in such applications requires the written approval of an appropriate TI officer. Questions concerning potential risk applications should be directed to TI through a local SC sales office.

In order to minimize risks associated with the customer's applications, adequate design and operating safeguards should be provided by the customer to minimize inherent or procedural hazards.

TI assumes no liability for applications assistance, customer product design, software performance, or infringement of patents or services described herein. Nor does TI warrant or represent that any license, either express or implied, is granted under any patent right, copyright, mask work right, or other intellectual property right of TI covering or relating to any combination, machine, or process in which such semiconductor products or services might be or are used.